

8 7 6 5 4 3 2 1

D

D

C

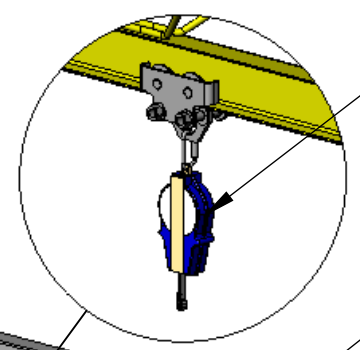
C

B

B

A

A



USER SET WITH TROLLEY

NEW 40'-0" SWING AWAY FALL PROTECTION SYSTEM SYSTEM SHOWN FULLY RETRACTED

EXISTING CRANE RAILS

EXISTING BUILDING COLUMN

EXISTING TRUCK BAY

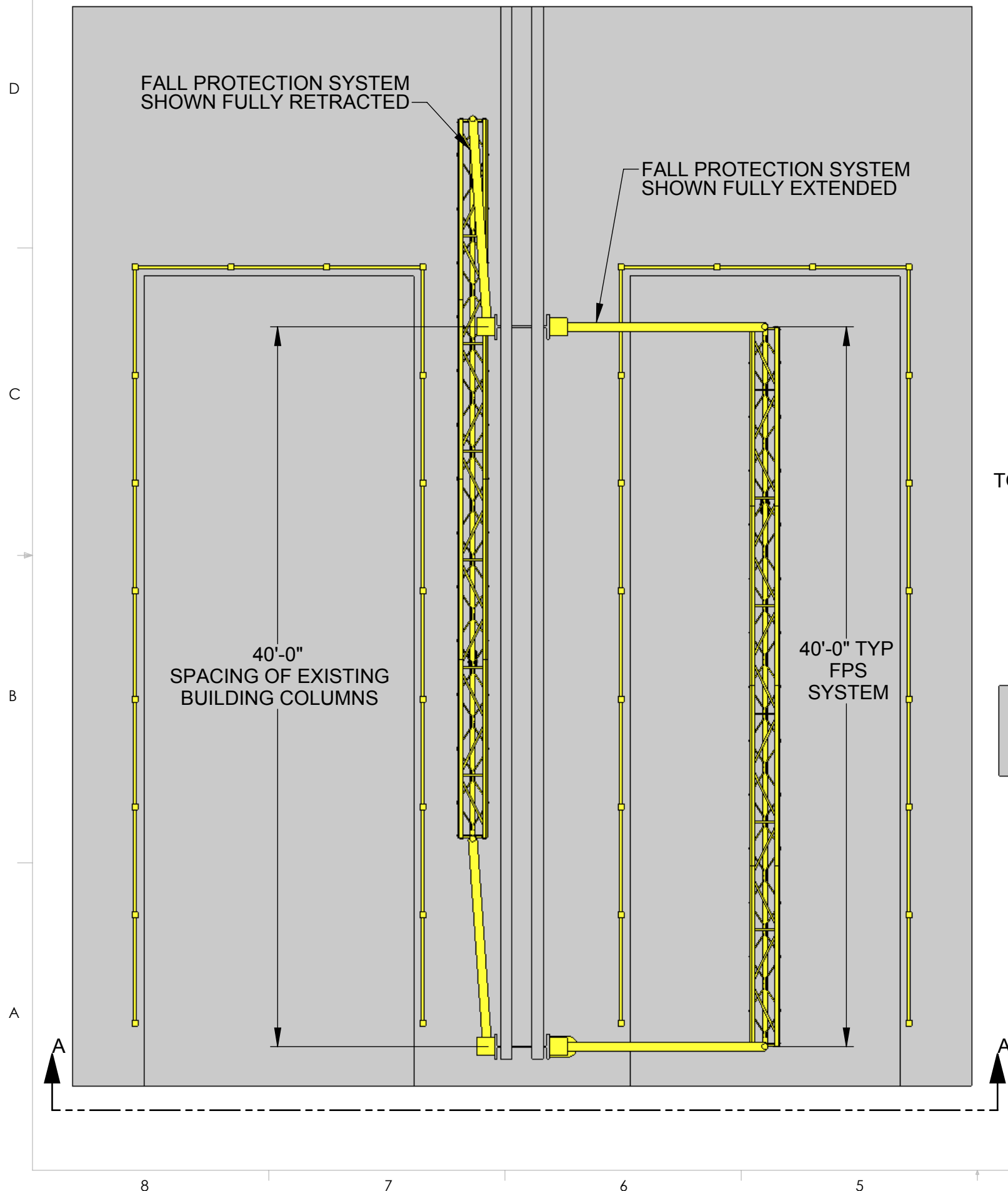
NEW 40'-0" NOMINAL SWING AWAY FALL PROTECTION SYSTEM SHOWN FULLY EXTENDED

EXISTING TRUCK BAY

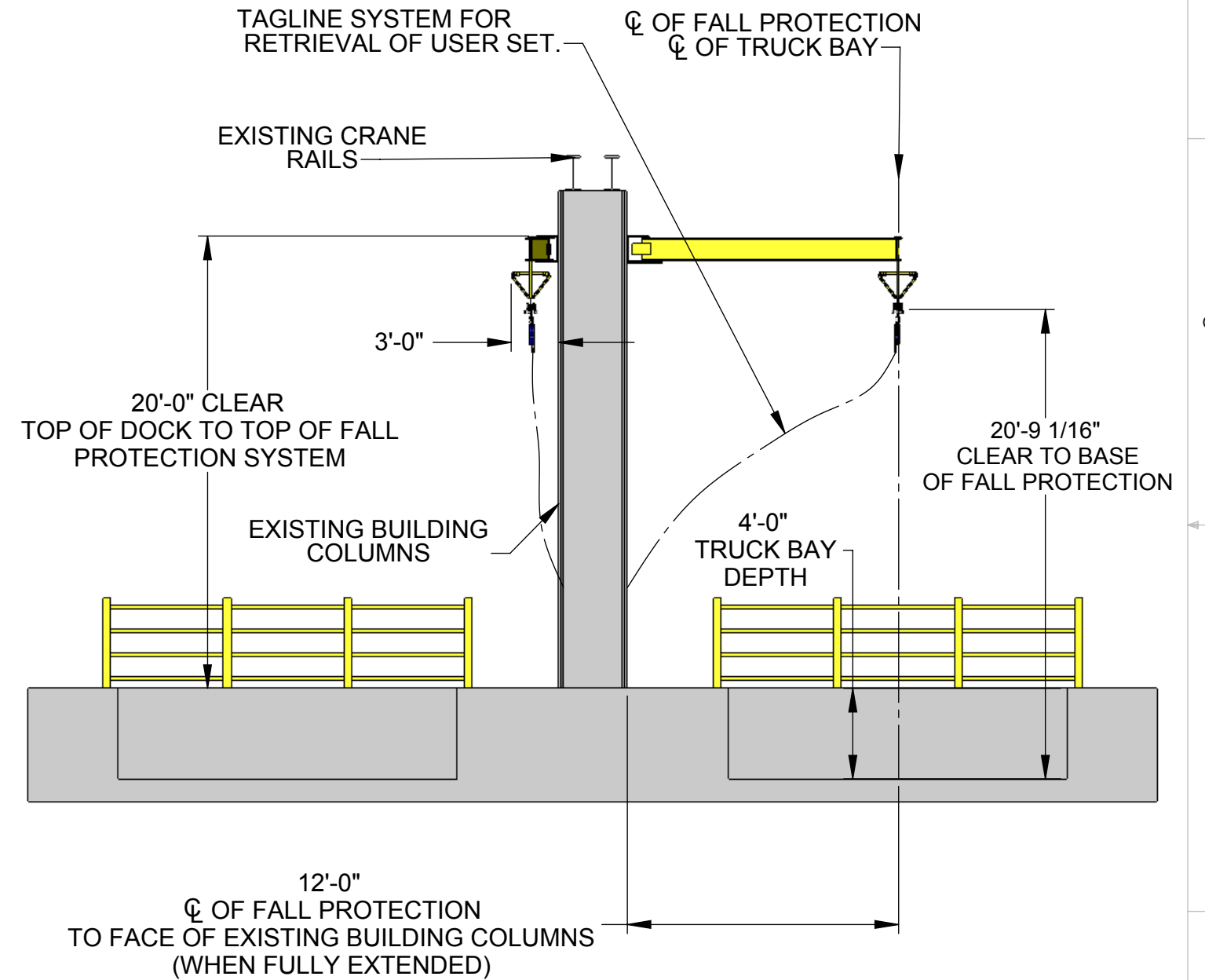
PROPRIETARY AND CONFIDENTIAL		<i>Fall Protection Systems F.P.S.</i>	
COVERED UNDER U.S. PATENTS D444,023 AND 6269,904B1 DESIGN CONFORMS WITH OSHA REGULATION (STD. 29 CFR) STD. NO. 1926.502, TITLED FALL PROTECTION SYSTEM CRITERIA & PRACTICES, SUBPART M, TITLED FALL PROTECTION		FOR	
THE INFORMATION CONTAINED IN THIS DRAWING IS THE SOLE PROPERTY OF FALL PROTECTION SYSTEMS. ANY REPRODUCTION IN PART OR AS A WHOLE WITHOUT THE WRITTEN PERMISSION OF FALL PROTECTION SYSTEMS IS PROHIBITED.		LOCATION	
DO NOT SCALE DRAWING	B	Quote No.	Job No.
		Rev.	Date
			SHEET 1 / 2

8 7 6 5 4 3 2 1

PLAN VIEW



SECTION A-A



<p>PROPRIETARY AND CONFIDENTIAL</p> <p>COVERED UNDER U.S. PATENTS D444,023 AND 6269,904B1 DESIGN CONFORMS WITH OSHA REGULATION (STD. 29 CFR) STD. NO. 1926.502, TITLED FALL PROTECTION SYSTEM CRITERIA & PRACTICES, SUBPART M, TITLED FALL PROTECTION</p> <p>THE INFORMATION CONTAINED IN THIS DRAWING IS THE SOLE PROPERTY OF FALL PROTECTION SYSTEMS. ANY REPRODUCTION IN PART OR AS A WHOLE WITHOUT THE WRITTEN PERMISSION OF FALL PROTECTION SYSTEMS IS PROHIBITED.</p> <p>DO NOT SCALE DRAWING</p>	<p>FOR</p>		<p>LOCATION</p>
	<p>SIZE B</p>		