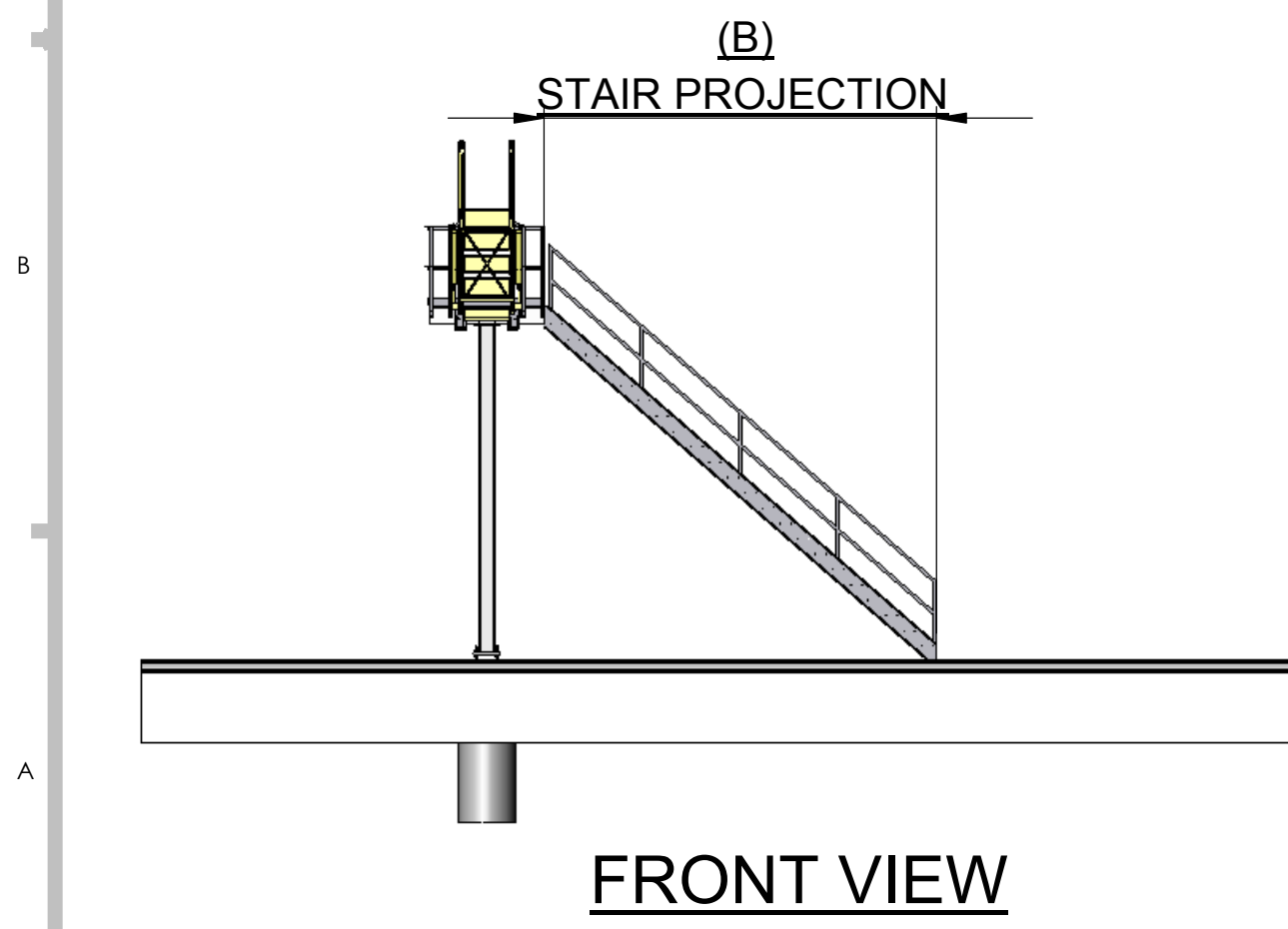
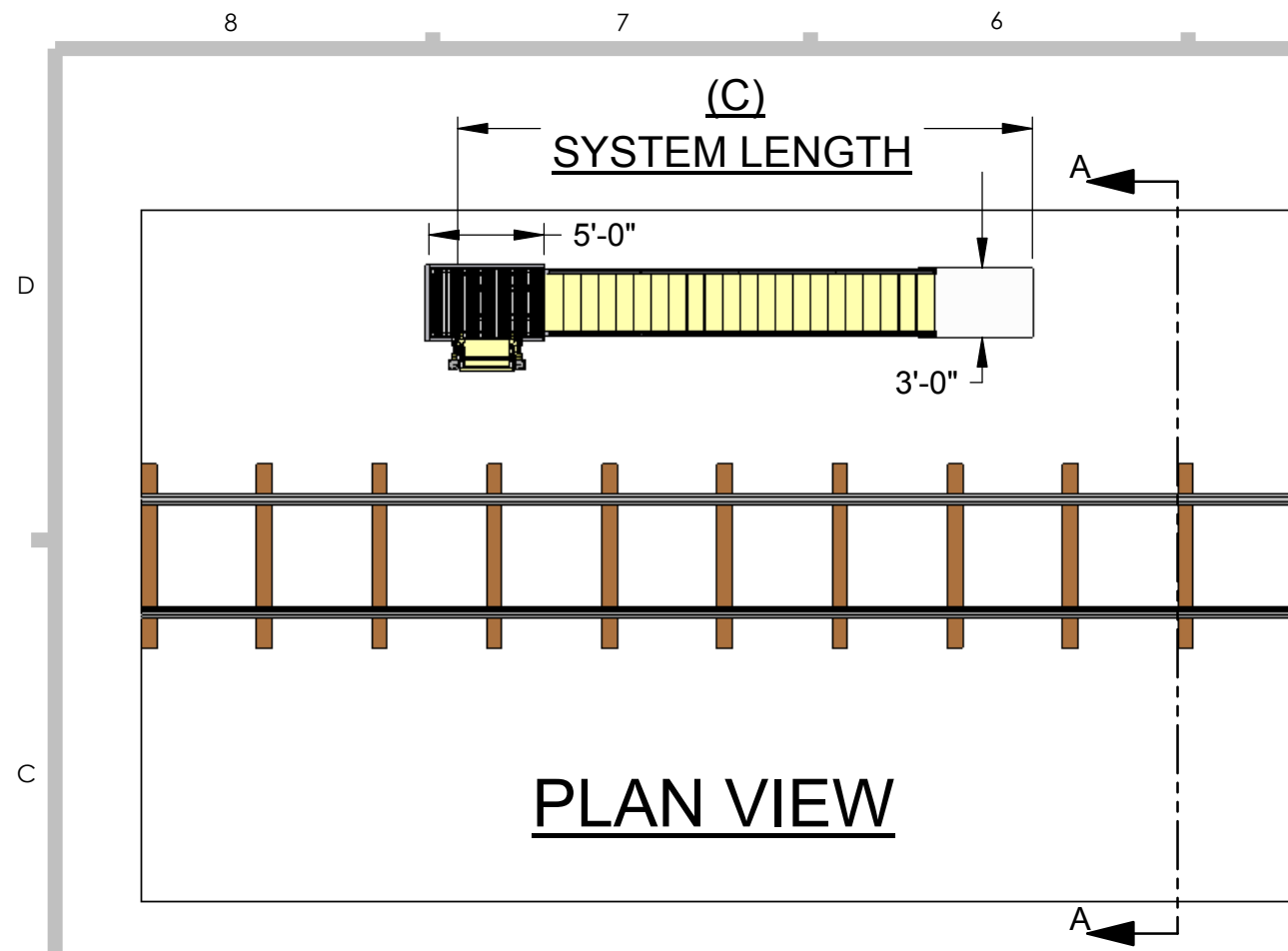
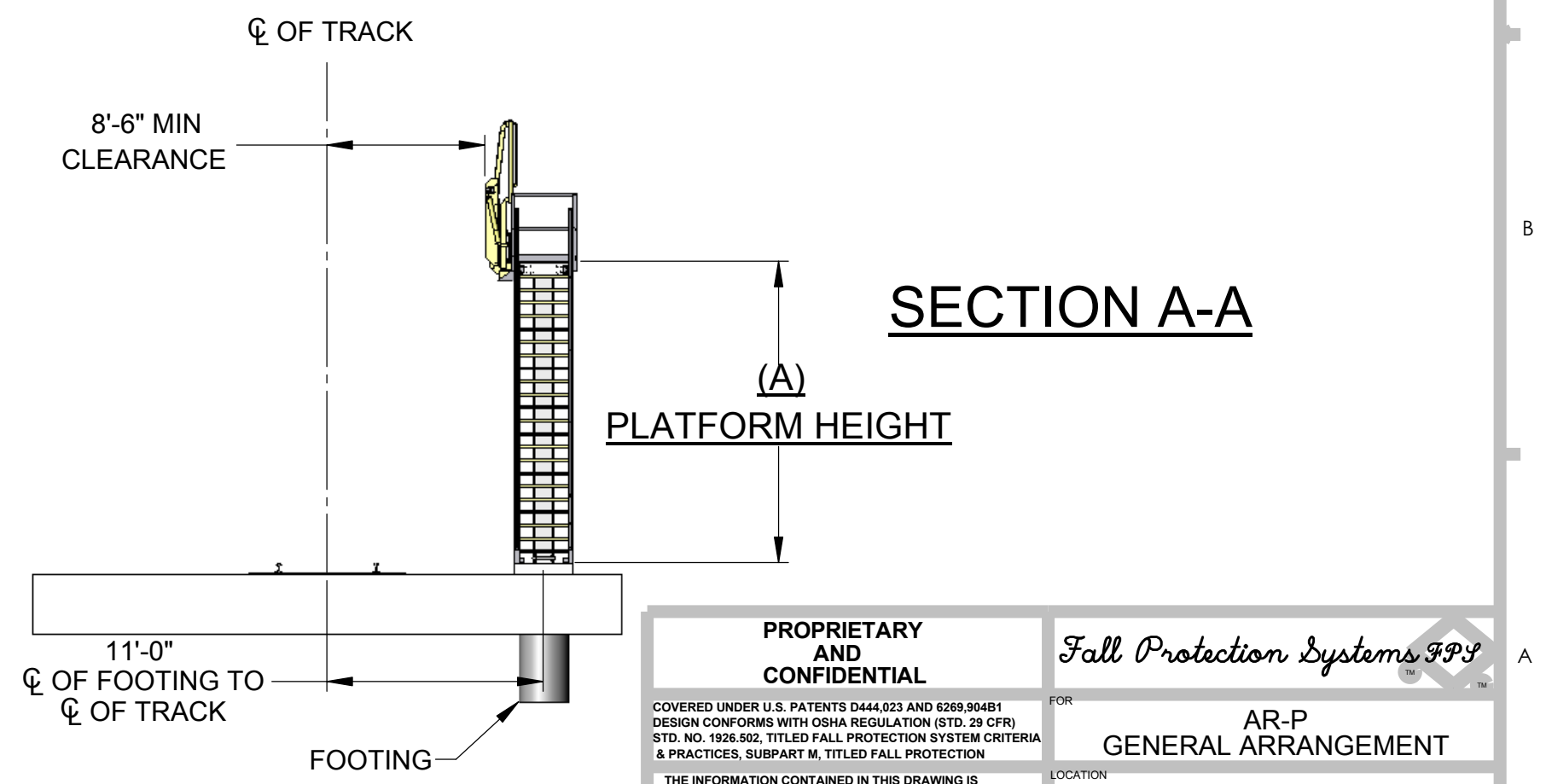


<b>PROPRIETARY AND CONFIDENTIAL</b> <small>COVERED UNDER U.S. PATENTS D444,023 AND 6269,904B1          DESIGN CONFORMS WITH OSHA REGULATION (STD. 29 CFR)          STD. NO. 1926.502, TITLED FALL PROTECTION SYSTEM CRITERIA          &amp; PRACTICES, SUBPART M, TITLED FALL PROTECTION</small>			
	FOR <b>AR-P          GENERAL ARRANGEMENT</b>		
<small>THE INFORMATION CONTAINED IN THIS DRAWING IS          THE SOLE PROPERTY OF FALL PROTECTION SYSTEMS.          ANY REPRODUCTION IN PART OR AS A WHOLE WITHOUT          THE WRITTEN PERMISSION OF FALL PROTECTION SYSTEMS          IS PROHIBITED.</small>	LOCATION _____		
	SIZE <b>B</b>	Quote No. _____ Drawn by _____	Job No. _____ Rev. _____
	Date _____		SHEET 1 / 2
DO NOT SCALE DRAWING			



**FIG A.**  
**SYSTEM HEIGHTS AND PROJECTIONS**

(A) PLATFORM HEIGHT	(B) STAIR STRINGER ROJECTION	(C) OVERALL SYSTEM LENGTH	CENTERLINE OF FOOTING TO CENTERLINE OF LANDING PAD
15'-4"	17'-0"	25'-0"	21'-3"
14'-8"	16'-3"	24'-2"	20'-5"
14'-0"	15'-6"	23'-5"	19'-8"
13'-4"	14'-9"	22'-8"	18'-11"
12'-8"	14'-0"	21'-11"	18'-2"
12'-0"	13'-3"	21'-2"	17'-5"
11'-4"	12'-4"	20'-4"	16'-7"



**PROPRIETARY AND CONFIDENTIAL**

COVERED UNDER U.S. PATENTS D444,023 AND 6269,904B1  
DESIGN CONFORMS WITH OSHA REGULATION (STD. 29 CFR)  
STD. NO. 1926.502, TITLED FALL PROTECTION SYSTEM CRITERIA  
& PRACTICES, SUBPART M, TITLED FALL PROTECTION

THE INFORMATION CONTAINED IN THIS DRAWING IS  
THE SOLE PROPERTY OF FALL PROTECTION SYSTEMS.  
ANY REPRODUCTION IN PART OR AS A WHOLE WITHOUT  
THE WRITTEN PERMISSION OF FALL PROTECTION SYSTEMS  
IS PROHIBITED.

DO NOT SCALE DRAWING

*Fall Protection Systems FPS*

FOR  
**AR-P  
GENERAL ARRANGEMENT**

LOCATION

SIZE **B** Quote No. Job No. Date  
Drawn by Rev. Date

SHEET 2 / 2