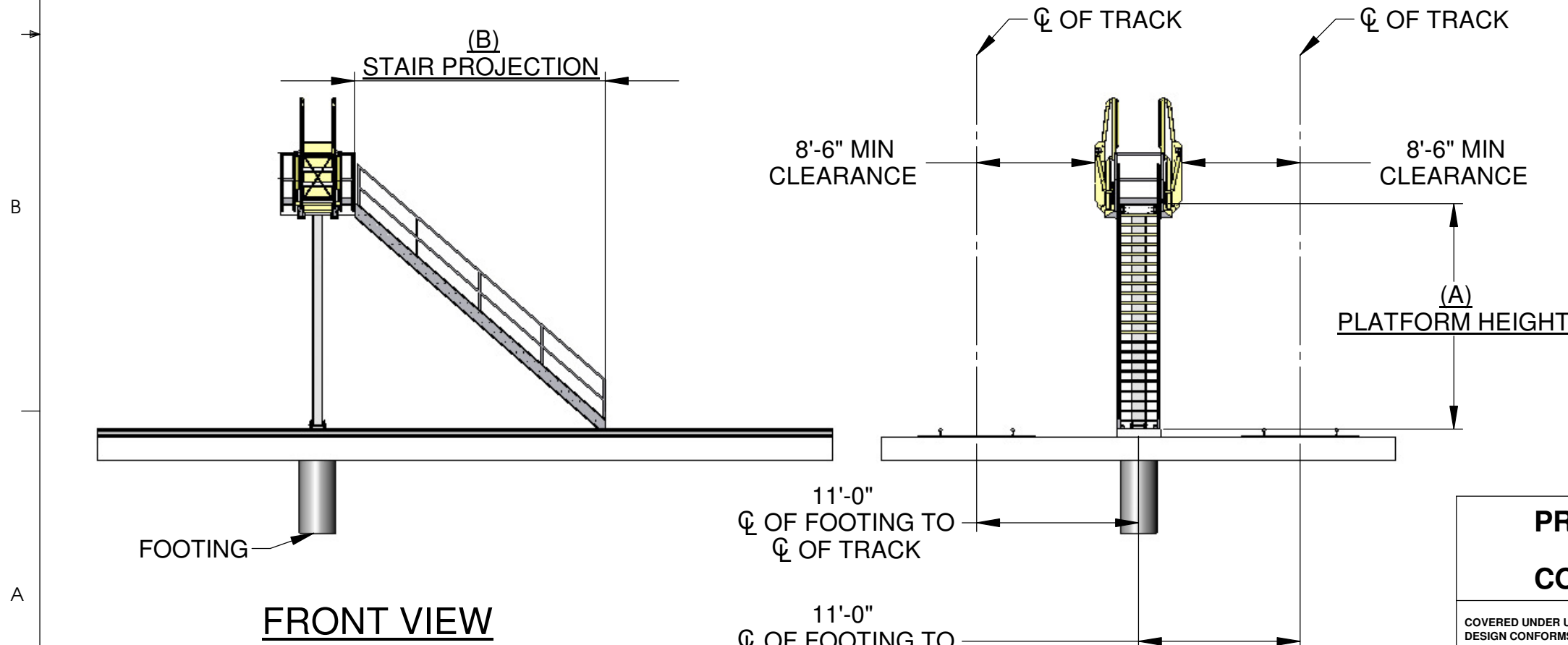
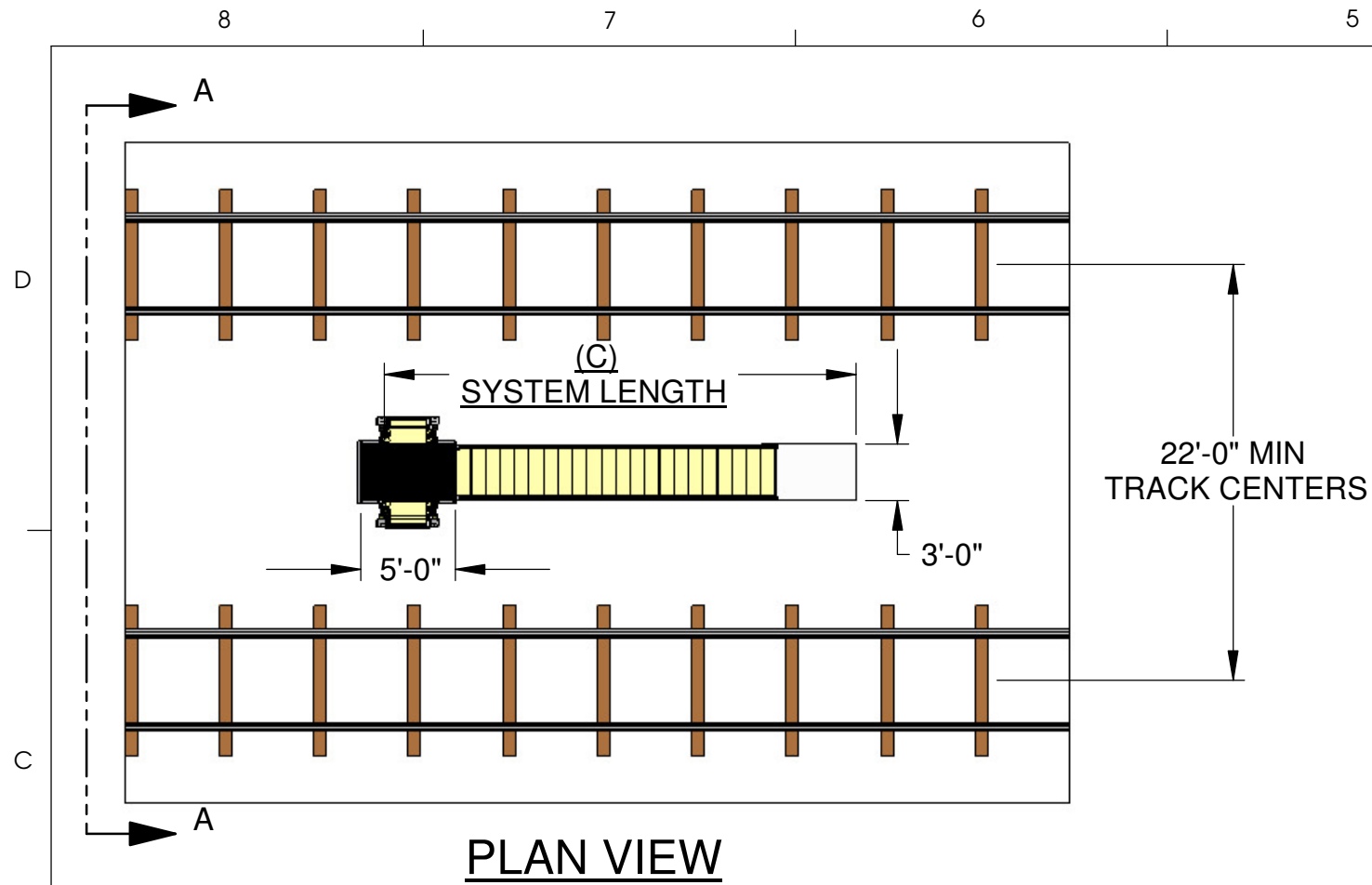


# FIG A

## SYSTEM HEIGHTS AND PROJECTIONS

(A) PLATFORM HEIGHT	(B) STAIR STRINGER ROJECTION	(C) OVERALL SYSTEM LENGTH	CENTERLINE OF FOOTING TO CENTERLINE OF LANDING PAD
15'-4"	17'-0"	25'-0"	21'-3"
14'-8"	16'-3"	24'-2"	20'-5"
14'-0"	15'-6"	23'-5"	19'-8"
13'-4"	14'-9"	22'-8"	18'-11"
12'-8"	14'-0"	21'-11"	18'-2"
12'-0"	13'-3"	21'-2"	17'-5"
11'-4"	12'-4"	20'-4"	16'-7"




**PROPRIETARY  
AND  
CONFIDENTIAL**

COVERED UNDER U.S. PATENTS D444,023 AND 6269,904B1  
DESIGN CONFORMS WITH OSHA REGULATION (STD. 29 CFR)  
STD. NO. 1926.502, TITLED FALL PROTECTION SYSTEM CRITERIA  
& PRACTICES, SUBPART M, TITLED FALL PROTECTION

THE INFORMATION CONTAINED IN THIS DRAWING IS  
THE SOLE PROPERTY OF FALL PROTECTION SYSTEMS.  
ANY REPRODUCTION IN PART OR AS A WHOLE WITHOUT  
THE WRITTEN PERMISSION OF FALL PROTECTION SYSTEMS  
IS PROHIBITED.

DO NOT SCALE DRAWING

Fall Protection Systems 

FOR  
**AR2-P ACCESS SYSTEM**

LOCATION

Quote No.	Job No.
DA	9-12-07

**SHEET 2 / 2**

Rev.	Date
------	------