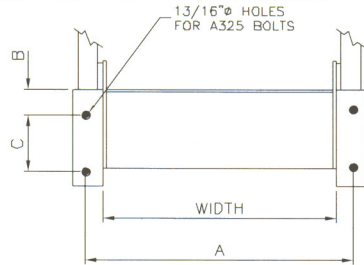


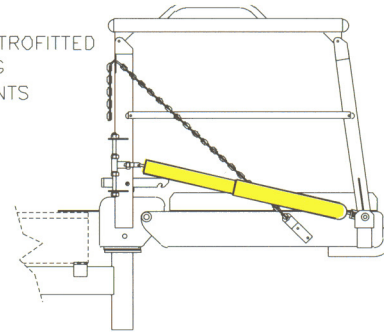
Gangway Options



WIDTH	A	B	C
24	27.5	3.25	6
30	33.5	3.25	6
36	39.5	3.25	6
42	45.5	3.25	6
48	51.5	3.25	6

* ALL DIMENSIONS IN INCHES

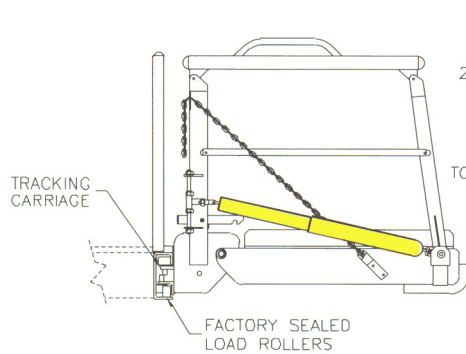
* CAN BE RETROFITTED TO EXISTING PIVOT MOUNTS



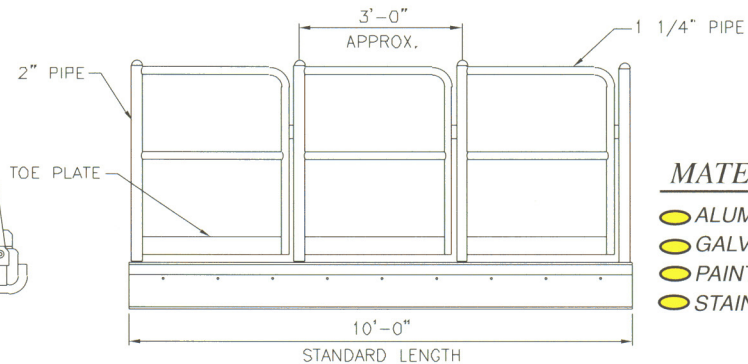
OPTIONAL PIVOT MOUNT

(ROTATION $\pm 10^\circ$)

STANDARD MOUNTING HOLE PATTERNS



OPTIONAL TRACK MOUNT



TRACK WITH SELF CLOSING SWING GATES

MATERIALS

- ALUMINUM
- GALVANIZED STEEL
- PAINTED STEEL
- STAINLESS STEEL