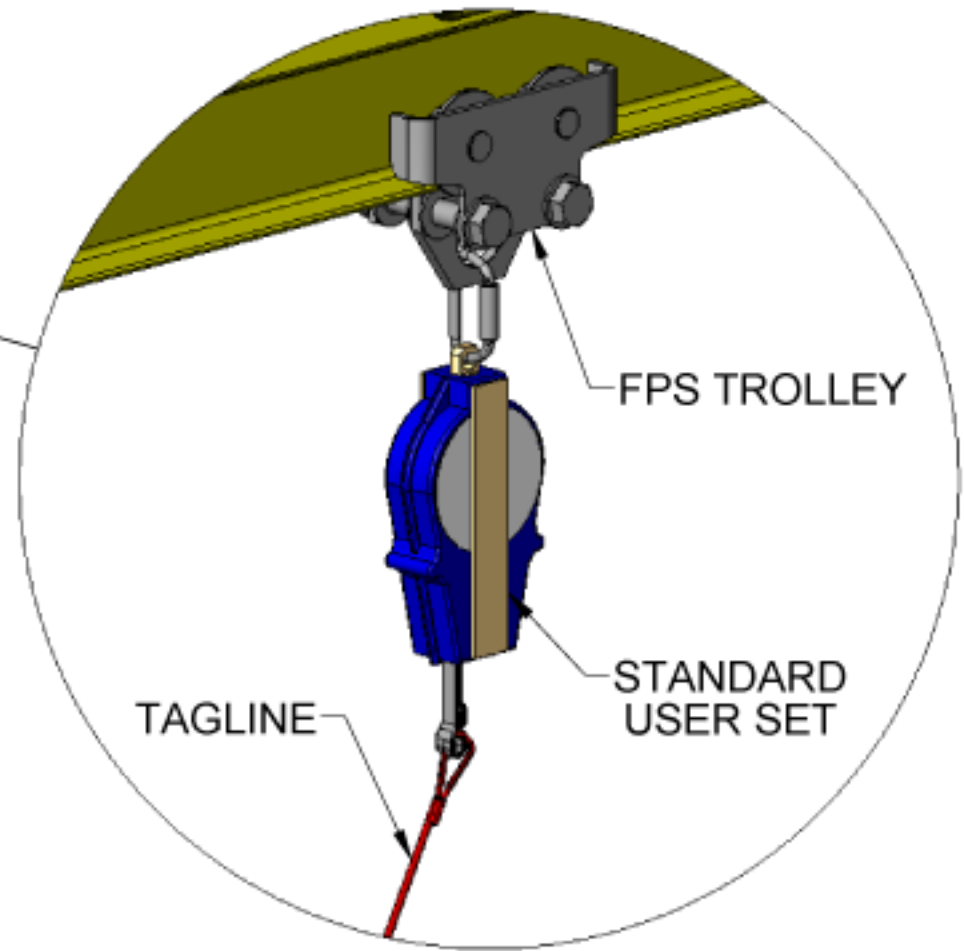


VERTICAL SUPPORT COLUMN

19'-0" TRI-TRUSS FALL PROTECTION

FOOTING FOR VERTICAL SUPPORT COLUMN

DETAIL OF STANDARD USER SET



NOTE: TAGLINE SYSTEM WILL NOT INTERFERE WITH RAILROAD ENVELOPE.

PROPRIETARY AND CONFIDENTIAL

COVERED UNDER U.S. PATENTS D444,033 AND 5293,564B1
DESIGN CONFORMS WITH OSHA REGULATION (STD. 29 CFR)
STD. NO. 1926.502, TITLED FALL PROTECTION SYSTEM CRITERIA
& PRACTICES, SUBPART M, TITLED FALL PROTECTION

THE INFORMATION CONTAINED IN THIS DRAWING IS THE SOLE PROPERTY OF FALL PROTECTION SYSTEMS. ANY REPRODUCTION IN PART OR AS A WHOLE WITHOUT THE WRITTEN PERMISSION OF FALL PROTECTION SYSTEMS IS PROHIBITED.

DO NOT SCALE DRAWING

Fall Protection Systems 

FOR **L-20**
GENERAL ARRANGEMENT

LOCATION			
SIZE	Date No.	Job No.	Date
B	Drawn by	Rev.	Date

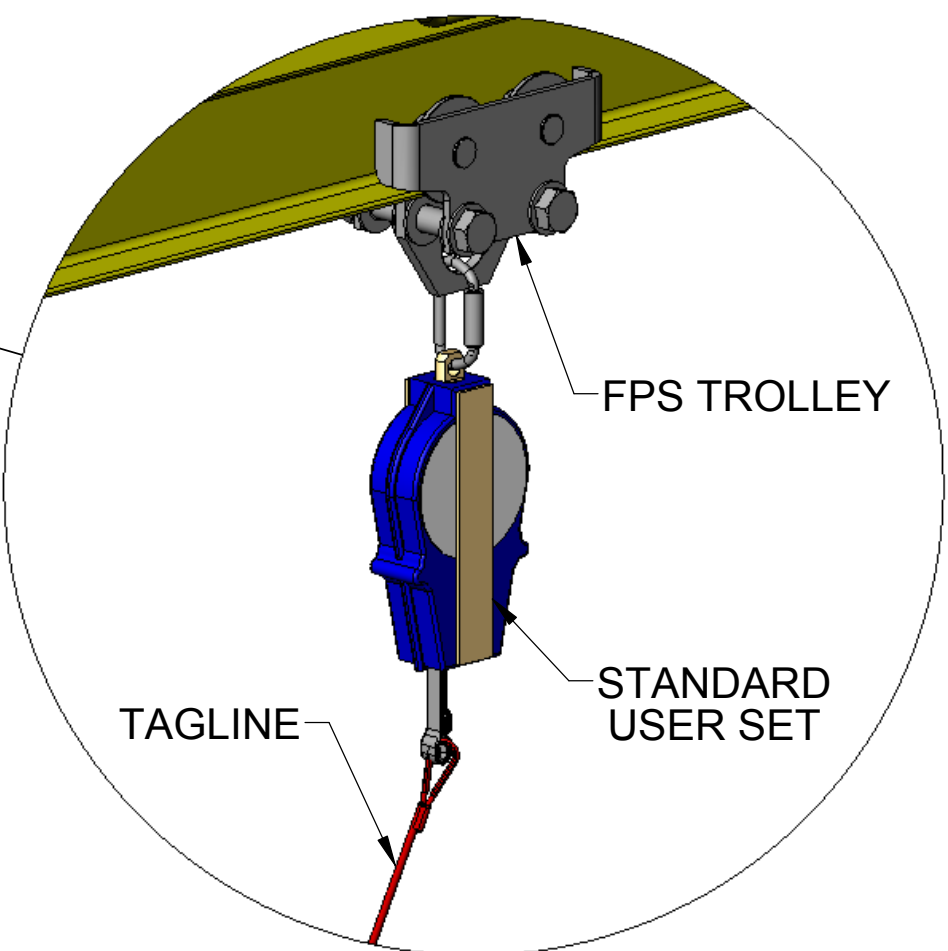
8 7 6 5 4 3 2 1

VERTICAL SUPPORT COLUMN

19'-0" TRI-TRUSS FALL PROTECTION

FOOTING FOR VERTICAL SUPPORT COLUMN

DETAIL OF STANDARD USER SET



FPS TROLLEY

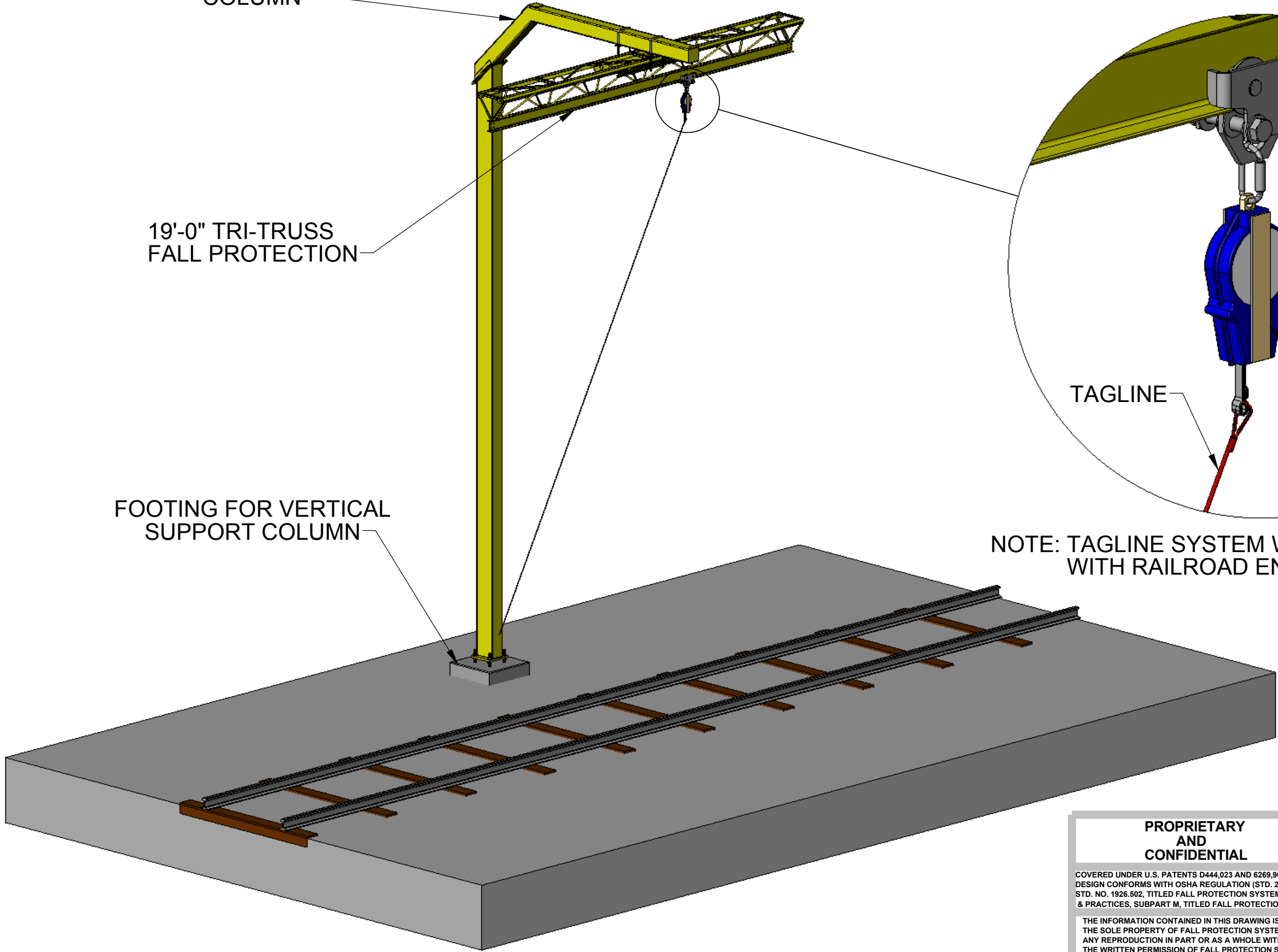
STANDARD USER SET

TAGLINE

NOTE: TAGLINE SYSTEM WILL NOT INTERFERE WITH RAILROAD ENVELOPE.

D
C
B
A

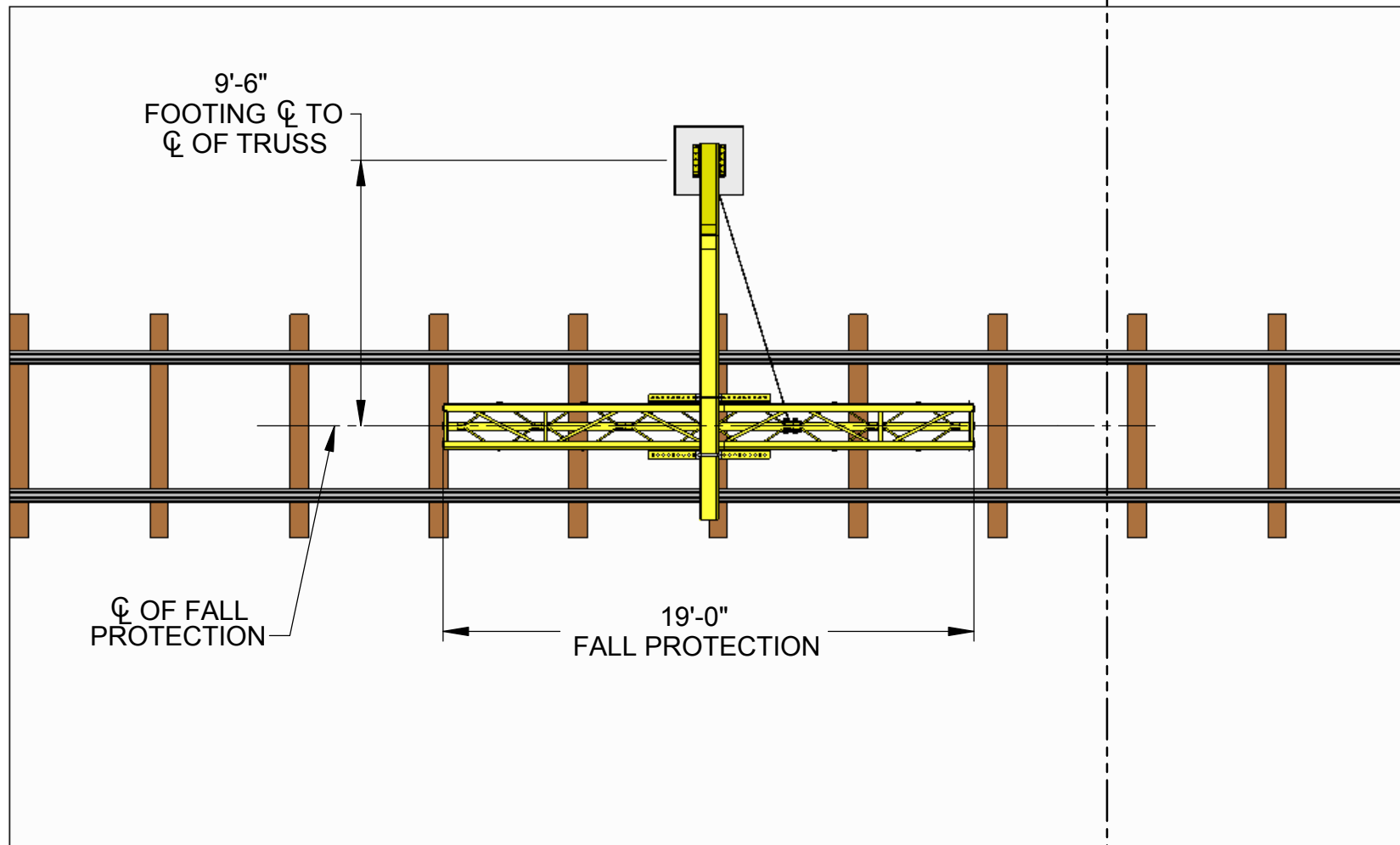
D
C
B
A



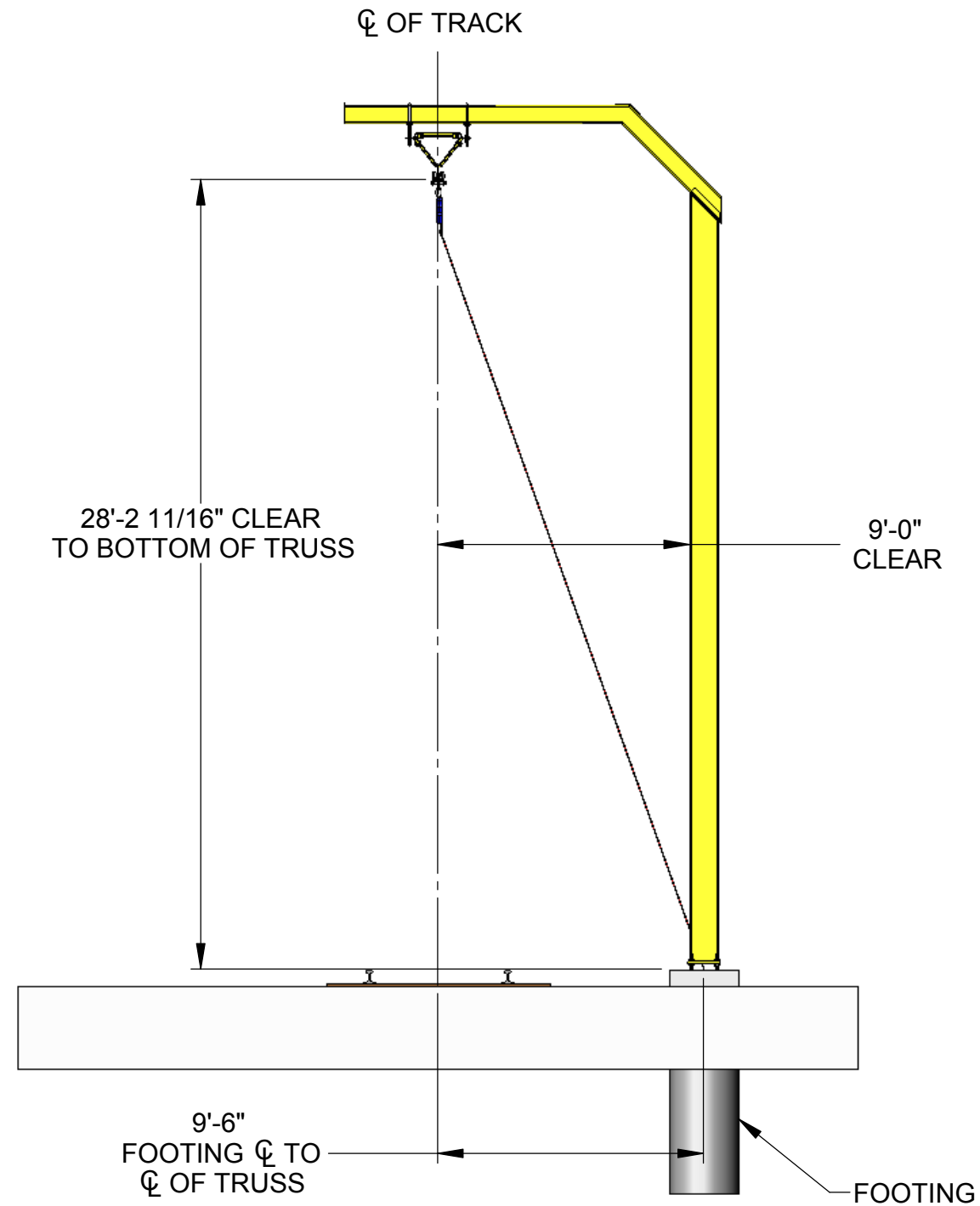
<p>PROPRIETARY AND CONFIDENTIAL</p> <p>COVERED UNDER U.S. PATENTS D444,023 AND 6269,904B1 DESIGN CONFORMS WITH OSHA REGULATION (STD. 29 CFR) STD. NO. 1926.502, TITLED FALL PROTECTION SYSTEM CRITERIA & PRACTICES, SUBPART M, TITLED FALL PROTECTION</p> <p>THE INFORMATION CONTAINED IN THIS DRAWING IS THE SOLE PROPERTY OF FALL PROTECTION SYSTEMS. ANY REPRODUCTION IN PART OR AS A WHOLE WITHOUT THE WRITTEN PERMISSION OF FALL PROTECTION SYSTEMS IS PROHIBITED.</p> <p>DO NOT SCALE DRAWING</p>	<p>FOR</p> <p>L-20</p> <p>GENERAL ARRANGEMENT</p>
	<p>LOCATION</p> <p>Quote No. _____ Job No. _____ Date _____</p> <p>Rev. _____ Date _____</p>
<p>SIZE</p> <p>B</p>	<p>SHEET 1 / 2</p>

8 7 6 5 4 3 2 1

PLAN VIEW



SECTION A-A



PROPRIETARY AND CONFIDENTIAL

COVERED UNDER U.S. PATENTS D444,023 AND 6269,904B1
 DESIGN CONFORMS WITH OSHA REGULATION (STD. 29 CFR)
 STD. NO. 1926.502, TITLED FALL PROTECTION SYSTEM CRITERIA
 & PRACTICES, SUBPART M, TITLED FALL PROTECTION

THE INFORMATION CONTAINED IN THIS DRAWING IS THE SOLE PROPERTY OF FALL PROTECTION SYSTEMS. ANY REPRODUCTION IN PART OR AS A WHOLE WITHOUT THE WRITTEN PERMISSION OF FALL PROTECTION SYSTEMS IS PROHIBITED.

DO NOT SCALE DRAWING

Fall Protection Systems **FPS**

FOR
L-20
GENERAL ARRANGEMENT

LOCATION

Quote No. Job No. Date

Rev. Date

Drawn by