

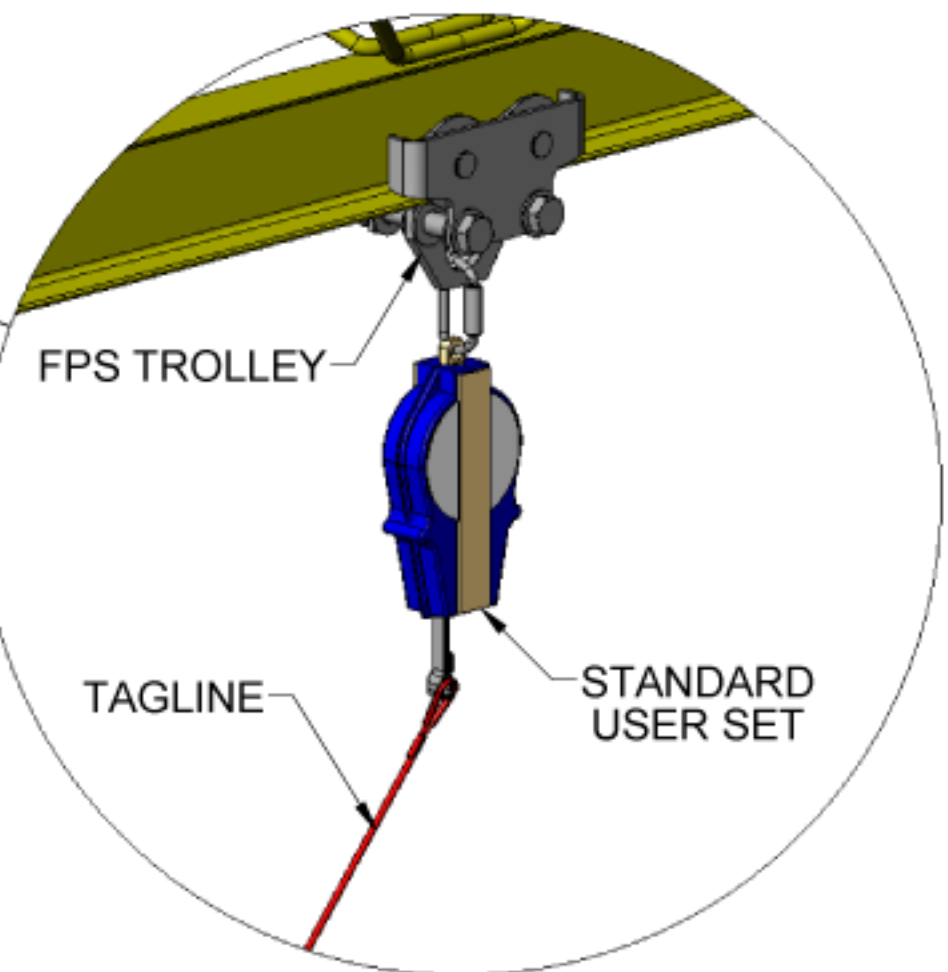
8 7 6 5 4 3 2 1

### DETAIL OF STANDARD USER SET

VERTICAL SUPPORT COLUMN

40'-0" TRI-TRUSS FALL PROTECTION

FOOTING FOR VERTICAL SUPPORT COLUMN

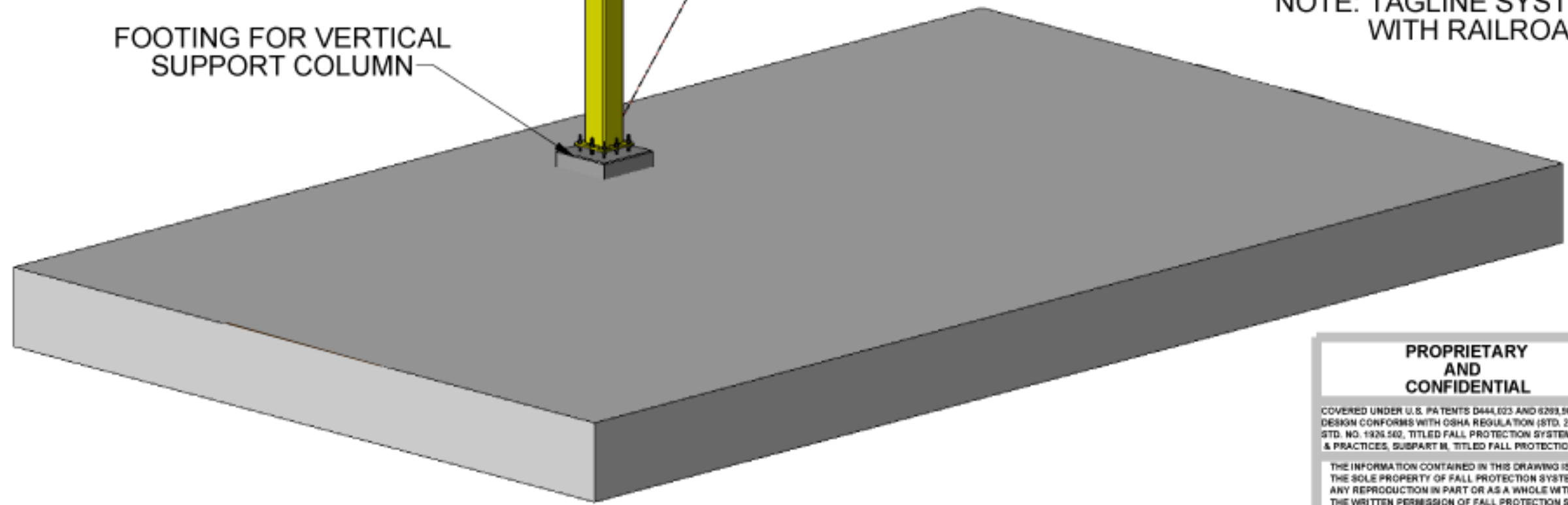


FPS TROLLEY

TAGLINE

STANDARD USER SET

NOTE: TAGLINE SYSTEM WILL NOT INTERFERE WITH RAILROAD ENVELOPE.



<b>PROPRIETARY AND CONFIDENTIAL</b> <small>COVERED UNDER U.S. PATENTS D444,033 AND 5293,564B1          DESIGN CONFORMS WITH OSHA REGULATION (STD. 29 CFR) STD. NO. 1926.502, TITLED FALL PROTECTION SYSTEM CRITERIA &amp; PRACTICES, SUBPART M, TITLED FALL PROTECTION</small>	<i>Fall Protection Systems FPS</i>	
	FOR <b>L-40 GENERAL ARRANGEMENT</b>	
<small>THE INFORMATION CONTAINED IN THIS DRAWING IS THE SOLE PROPERTY OF FALL PROTECTION SYSTEMS. ANY REPRODUCTION IN PART OR AS A WHOLE WITHOUT THE WRITTEN PERMISSION OF FALL PROTECTION SYSTEMS IS PROHIBITED.</small>	LOCATION _____	
<small>DO NOT SCALE DRAWING</small>	SIZE <b>B</b>	Date No. _____ Job No. _____ Date _____ Drawn by _____ Rev. _____ Date _____
		SHEET 1 / 2

8 7 6 5 4 3 2 1

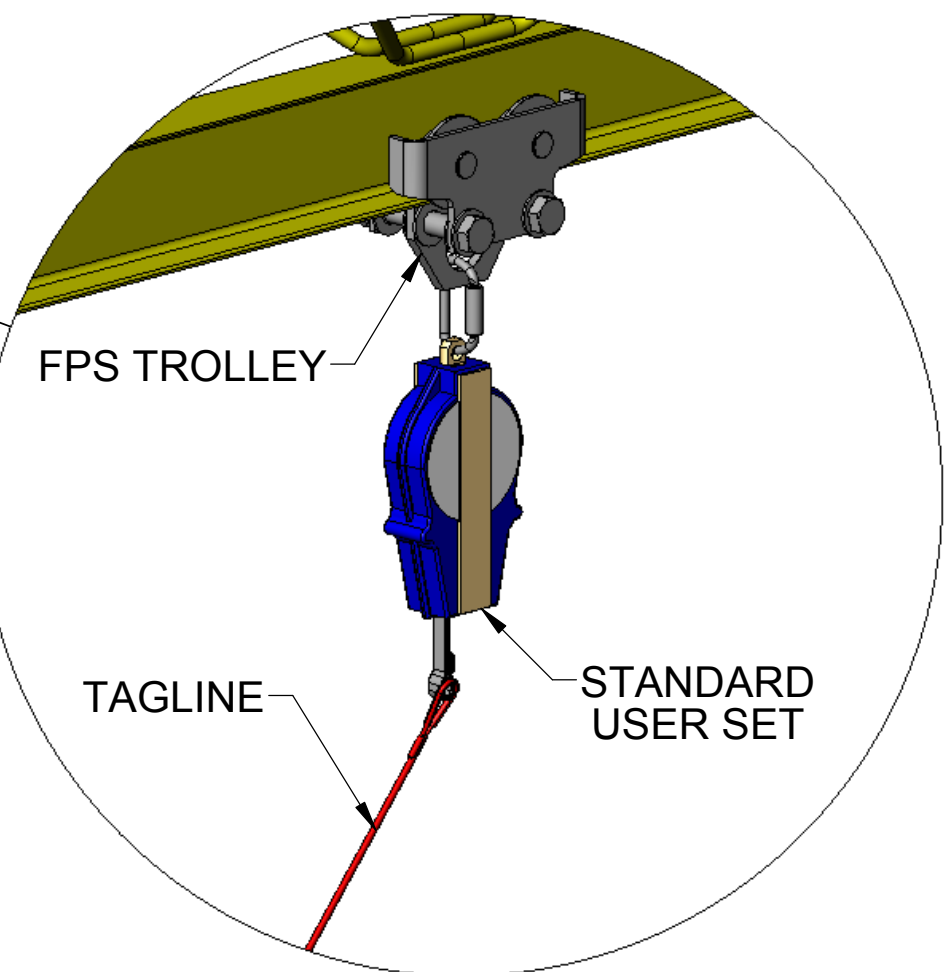
8 7 6 5 4 3 2 1

### DETAIL OF STANDARD USER SET

VERTICAL SUPPORT COLUMN

40'-0" TRI-TRUSS FALL PROTECTION

FOOTING FOR VERTICAL SUPPORT COLUMN



FPS TROLLEY

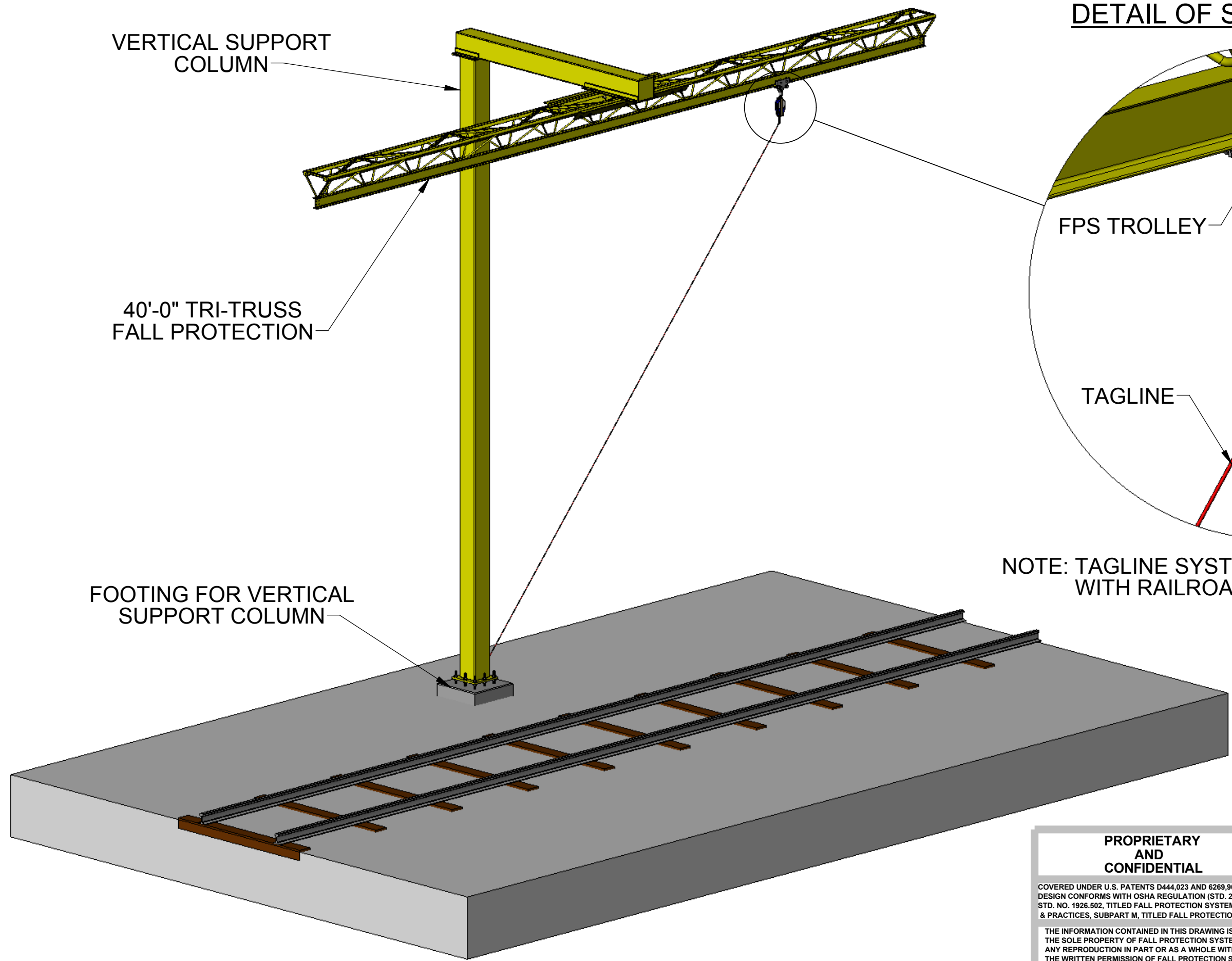
TAGLINE

STANDARD USER SET

NOTE: TAGLINE SYSTEM WILL NOT INTERFERE WITH RAILROAD ENVELOPE.

D  
C  
B  
A

D  
C  
B  
A



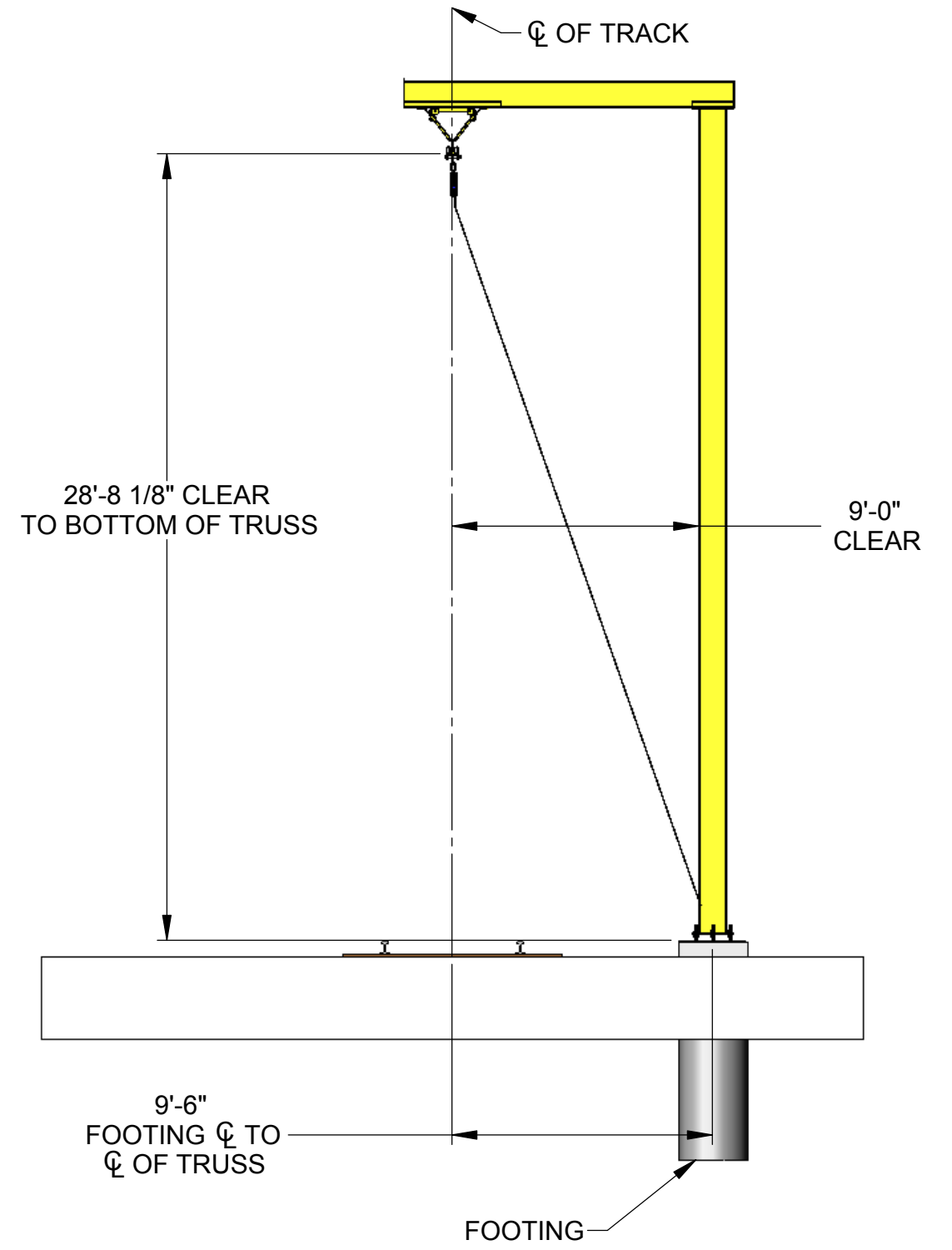
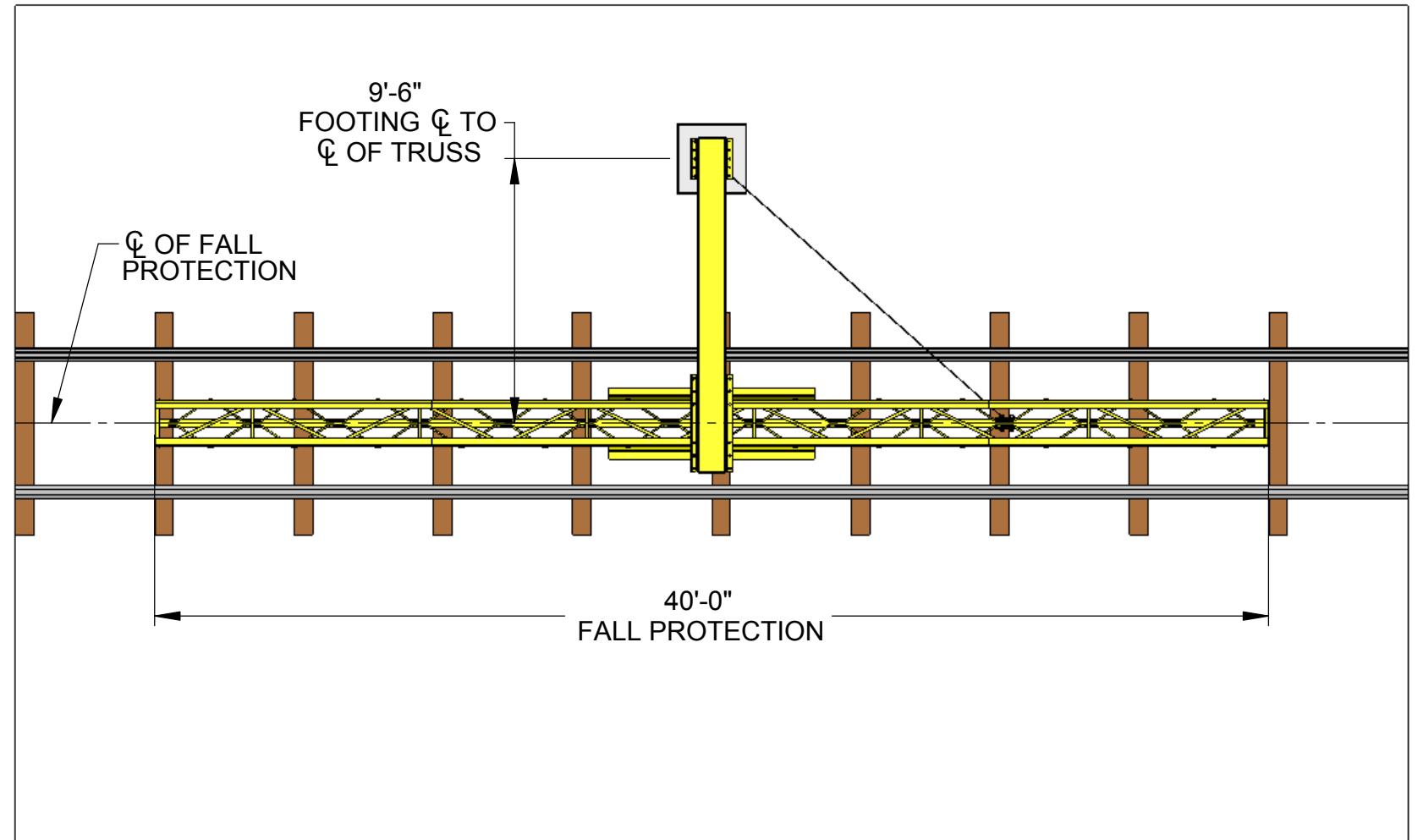
<p><b>PROPRIETARY AND CONFIDENTIAL</b></p> <p>COVERED UNDER U.S. PATENTS D444,023 AND 6269,904B1          DESIGN CONFORMS WITH OSHA REGULATION (STD. 29 CFR)          STD. NO. 1926.502, TITLED FALL PROTECTION SYSTEM CRITERIA          &amp; PRACTICES, SUBPART M, TITLED FALL PROTECTION</p> <p>THE INFORMATION CONTAINED IN THIS DRAWING IS THE SOLE PROPERTY OF FALL PROTECTION SYSTEMS. ANY REPRODUCTION IN PART OR AS A WHOLE WITHOUT THE WRITTEN PERMISSION OF FALL PROTECTION SYSTEMS IS PROHIBITED.</p> <p>DO NOT SCALE DRAWING</p>	<p><i>Fall Protection Systems FPS</i></p>
	<p>FOR</p> <p><b>L-40</b></p> <p><b>GENERAL ARRANGEMENT</b></p>
<p>LOCATION</p>	<p>Quote No. _____ Job No. _____ Date _____</p>
<p>SIZE</p> <p><b>B</b></p>	<p>Drawn by _____ Rev. _____ Date _____</p>

8 7 6 5 4 3 2 1

8 7 6 5 4 3 2 1

# SECTION A-A

# PLAN VIEW



<p><b>PROPRIETARY AND CONFIDENTIAL</b></p> <p>COVERED UNDER U.S. PATENTS D444,023 AND 6269,904B1          DESIGN CONFORMS WITH OSHA REGULATION (STD. 29 CFR)          STD. NO. 1926.502, TITLED FALL PROTECTION SYSTEM CRITERIA          &amp; PRACTICES, SUBPART M, TITLED FALL PROTECTION</p> <p>THE INFORMATION CONTAINED IN THIS DRAWING IS          THE SOLE PROPERTY OF FALL PROTECTION SYSTEMS.          ANY REPRODUCTION IN PART OR AS A WHOLE WITHOUT          THE WRITTEN PERMISSION OF FALL PROTECTION SYSTEMS          IS PROHIBITED.</p> <p>DO NOT SCALE DRAWING</p>	<p><i>Fall Protection Systems FPS</i></p>
	<p>FOR</p> <p><b>L-40</b> GENERAL ARRANGEMENT</p> <p>LOCATION</p>
<p>SIZE</p> <p><b>B</b></p>	<p>Quote No. _____ Job No. _____ Date _____</p> <p>Drawn by _____ Rev. _____ Date _____</p>

SHEET 2 / 2

8 7 6 5 4 3 2 1