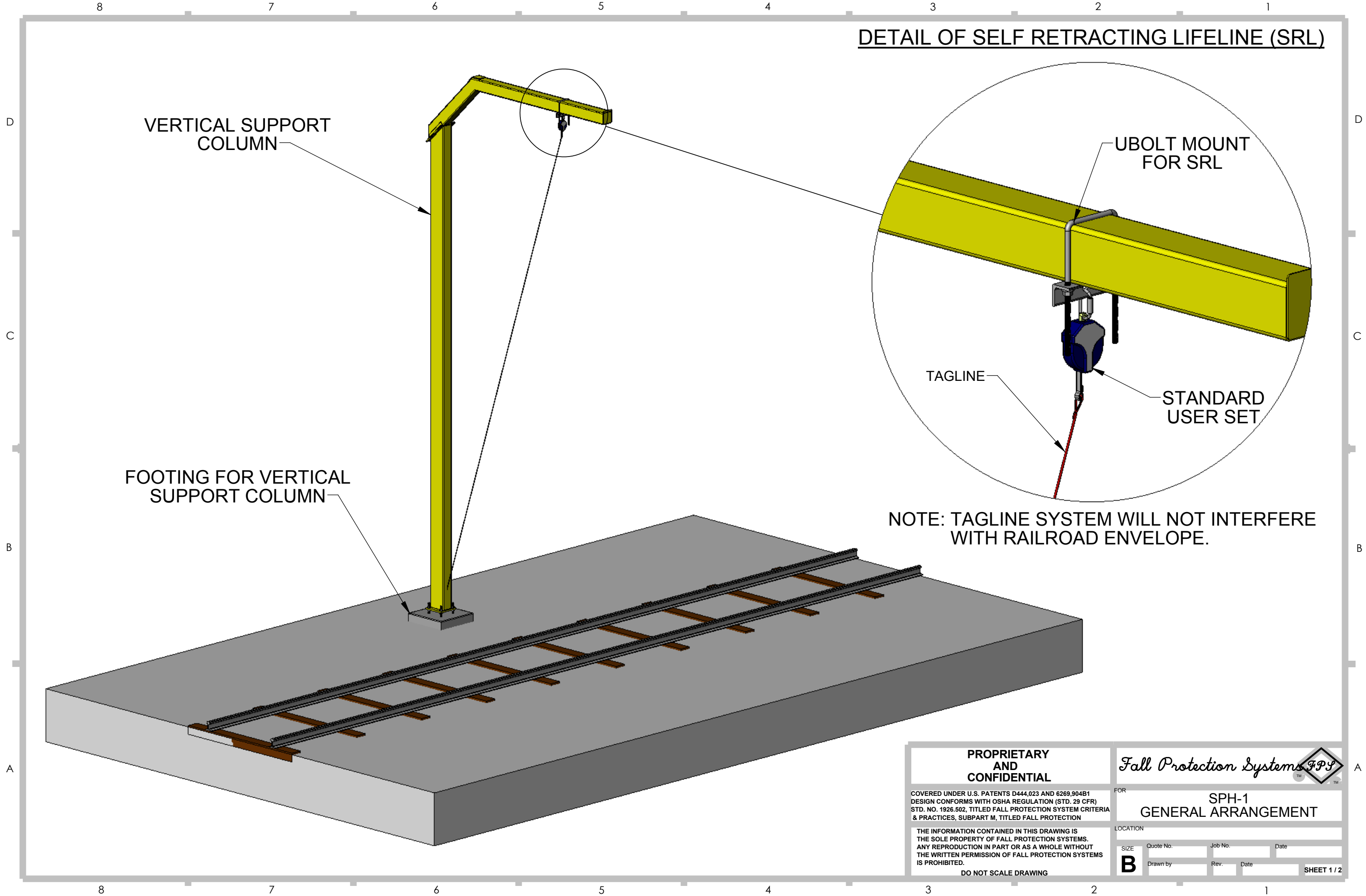


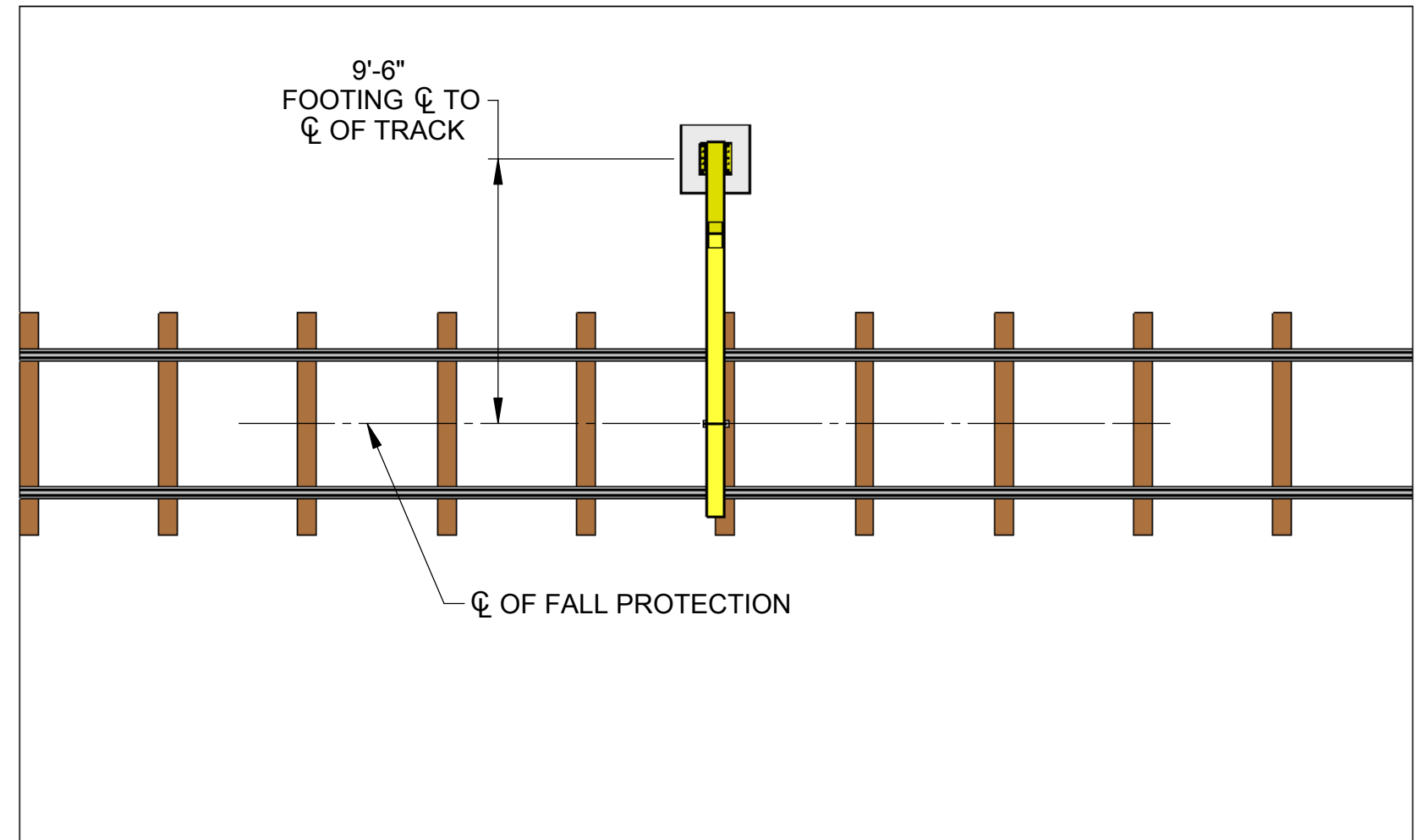
DETAIL OF SELF RETRACTING LIFELINE (SRL)



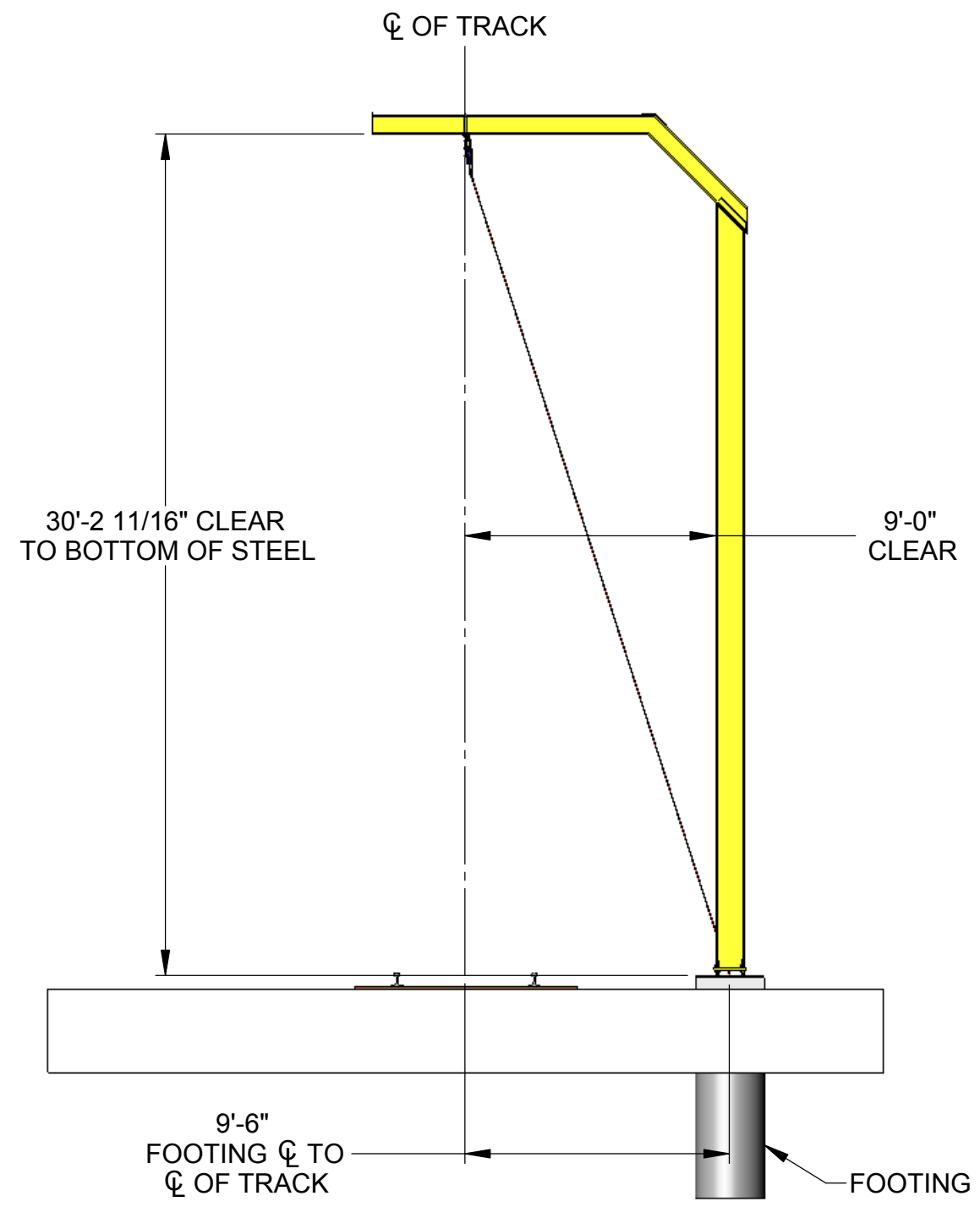
<p>PROPRIETARY AND CONFIDENTIAL</p> <p>COVERED UNDER U.S. PATENTS D444,023 AND 6269,904B1 DESIGN CONFORMS WITH OSHA REGULATION (STD. 29 CFR) STD. NO. 1926.502, TITLED FALL PROTECTION SYSTEM CRITERIA & PRACTICES, SUBPART M, TITLED FALL PROTECTION</p> <p>THE INFORMATION CONTAINED IN THIS DRAWING IS THE SOLE PROPERTY OF FALL PROTECTION SYSTEMS. ANY REPRODUCTION IN PART OR AS A WHOLE WITHOUT THE WRITTEN PERMISSION OF FALL PROTECTION SYSTEMS IS PROHIBITED.</p> <p>DO NOT SCALE DRAWING</p>		
	<p>FOR</p> <p>SPH-1</p> <p>GENERAL ARRANGEMENT</p>	
<p>LOCATION</p>		
<p>SIZE</p> <p>B</p>	<p>Quote No. _____</p> <p>Drawn by _____</p>	<p>Job No. _____</p> <p>Rev. _____</p> <p>Date _____</p>
		<p>SHEET 1 / 2</p>

8 7 6 5 4 3 2 1

PLAN VIEW



SECTION A-A



<p>PROPRIETARY AND CONFIDENTIAL</p> <p>COVERED UNDER U.S. PATENTS D444,023 AND 6269,904B1 DESIGN CONFORMS WITH OSHA REGULATION (STD. 29 CFR) STD. NO. 1926.502, TITLED FALL PROTECTION SYSTEM CRITERIA & PRACTICES, SUBPART M, TITLED FALL PROTECTION</p> <p>THE INFORMATION CONTAINED IN THIS DRAWING IS THE SOLE PROPERTY OF FALL PROTECTION SYSTEMS. ANY REPRODUCTION IN PART OR AS A WHOLE WITHOUT THE WRITTEN PERMISSION OF FALL PROTECTION SYSTEMS IS PROHIBITED.</p> <p>DO NOT SCALE DRAWING</p>		
	<p>FOR</p> <p>SPH-1</p> <p>GENERAL ARRANGEMENT</p>	
<p>LOCATION</p>		
<p>SIZE</p> <p>B</p>	<p>Quote No. _____</p> <p>Rev. _____</p>	<p>Job No. _____</p> <p>Date _____</p>
		<p>SHEET 2 / 2</p>

8 7 6 5 4 3 2 1